

Industrial inkjet

RICOH
imagine. change.

RICOH MH2810F/2910F

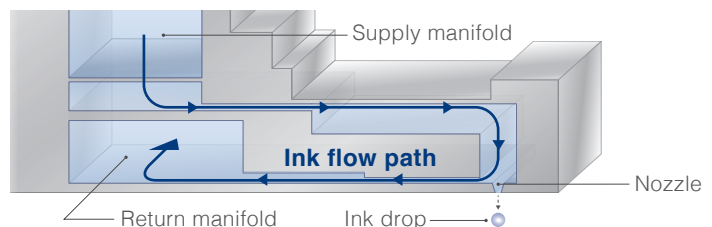
This series of stainless steel print heads feature flow through functionality offering improved jetting performance for single pass applications as well as heavily loaded inks.



Stainless steel print head with flow through functionality and enhanced jetting reliability

The flow through functionality of this series of stainless steel print heads enables:

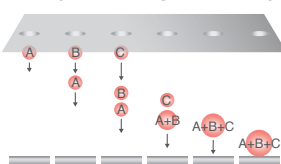
- Improved handling of heavily loaded pigment inks
- Increased reliability for single pass applications
- Greater fluid temperature control
- Improved nozzle up-time performance
- Reduced printer maintenance frequency



Variable drop volume capability

The multi-drop capability allows the creation of a range of drop sizes enabling grey-scale printing.

Conceptual drawing of multi-drop



Excellent durability and extended service life

Ricoh inkjet print heads are made of stainless steel. These heads are highly robust and offer excellent anti-corrosion properties for multiple inks, resulting in excellent durability and extended service life.

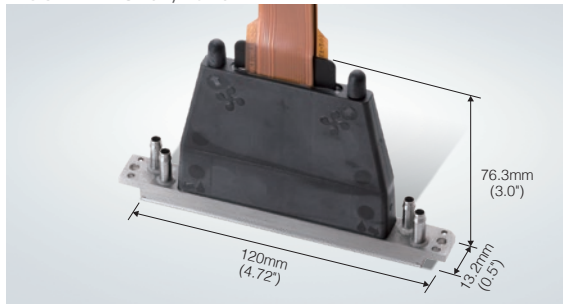
Support for different inks

With its built-in heater, this print head is capable of jetting high-viscosity inks. Additionally, the ink path is isolated from the actuator (piezo elements), i.e. no ink contact.

Print head with support for large drops and high-viscosity inks

Choose from two models to suit your application with drop volumes of 27-50pl and 50-90pl.

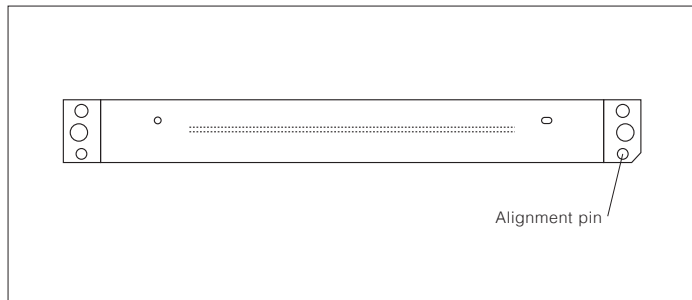
RICOH MH2810F/2910F



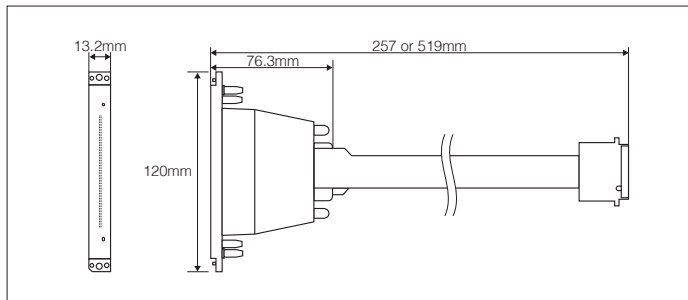
	RICOH MH2810F	RICOH MH2910F
Method	Piston pusher with metallic diaphragm plate	
Print width	64.861mm	
Number of nozzles	384 (2 x 192 channels), staggered	
Nozzle spacing (1 color printing)	1/150"(0.1693 mm)	
Nozzle spacing (Row to row distance)	0.9948mm	
Compatible ink	UV, Solvent, Aqueous, Others. Able to handle heavy loaded pigmented inks	
Total printhead dimensions	120(W) x 13.2(D) x 76.3(H) mm (4.72" x 0.52" x 3") excluding cables & connectors	
Weight	126 g	
Ink color	Monochrome	
Operating temperature range	Up to 80°C	Up to 60°C
Temperature control	Integrated heater and thermistor	
Life	100 billion actuations per nozzle	
Jetting frequency*	Binary mode : 30kHz / Grey-scale mode : 20kHz	Binary mode : 24kHz / Grey-scale mode : N/A
Drop volume*	Binary mode : 27pl / Grey-scale mode : 27 to 50pl	Binary mode : 50pl / Grey-scale mode : N/A
Viscosity range	10-15 mPa·s	
Surface tension	28-35mN/m	
Grey-scale*	4	
Total length	256mm or 518mm including cables	
Ink port	Hose Barb or O-Ring	
Number of ink ports	4 Ports (2×IN / 2×OUT)	
Head to head alignment pin direction	Front or Back	

* Dependent on ink and system design.

■ Nozzle



■ External dimensions



-Product appearance and specifications may be changed without prior notice for improvement purpose.
 -Company and product names are trademarks or registered trademarks of their respective companies
 -Please contact your sales representative for details on performance, specifications, and restricting conditions, etc



● Inquiries and orders: