

Industrial Inkjet

# RICOH MH2620/2820

**RICOH**  
imagine. change.

**This print head family delivers large image drop size jetting capability. Supports high-viscosity ink and operating temp to 80°C.**



## Droplet enlargement

This head is capable of jetting a variety of ink types in large droplet sizes. Please choose from two models to suit your application: Multi-drop 15-45pl (MH2620) or 27-54 pl (MH2820)

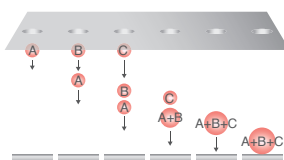
## Heated operation up to 80°C

The built-in heater heats the ink to up to 80°C for jetting, providing support for high-viscosity inks.

### Variable drop volume capability

The multi-drop capability allows the creation of a range of drop sizes enabling grey-scale printing.

Conceptual drawing of multi-drop



### Excellent durability and extended service life

Ricoh inkjet print heads are made of stainless steel. These heads are highly robust and offer excellent anti-corrosion properties for multiple inks, resulting in excellent durability and extended service life.

### Support for different inks

With its built-in heater, these heads are capable of jetting high-viscosity inks. Additionally, the ink path is isolated from the actuator (piezo elements), i.e. no ink contact.

# Inkjet head with support for droplet enlargement and high-viscosity inks

Choose from two models to suit your application with droplet volumes of 15-45pl and 27-54pl.

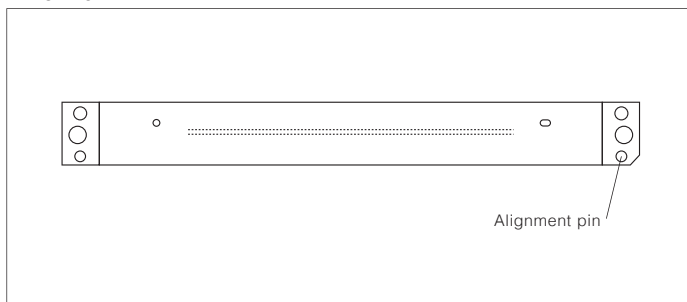
MH2620/2820



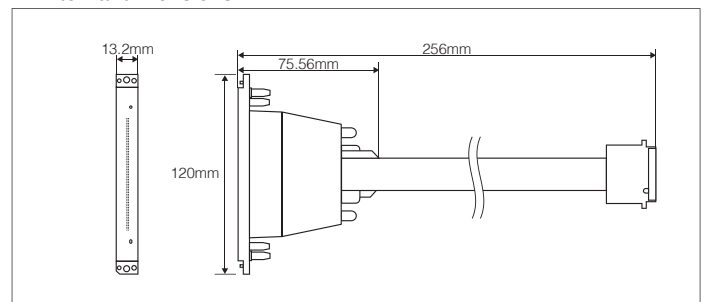
|                                      | MH2620   | MH2820  |
|--------------------------------------|--|---|
| Method                               | Piston pusher with metallic diaphragm plate                                |   |
| Print Width                          | 64.9 mm(2.6")  |   |
| Number of nozzles                    | 384 (2 x 192 channels), staggered  |   |
| Nozzle spacing (Within a row)        | 1/75"(0.339 mm)  |   |
| Nozzle spacing (Row to row distance) | 0.9948 mm  |   |
| Compatible ink                       | UV, Solvent, Aqueous, Others.  |   |
| Total printhead dimensions           | 120(W) x 75.56(D) x 13.2(H) mm (4.72" x 3.0" x 0.5") excluding cables      |   |
| Weight                               | 108 g  |   |
| Max.number of color inks             | 2 colors   |   |
| Operating temperature range          | Up to 80°C   |   |
| Temperature control                  | Integrated heater and thermistor   |   |
| Drop volume/Jetting frequency        | MH2620 : 15pl - 30kHz, 30pl - 20kHz, 45pl - 14kHz<br>*depending on the ink | 27pl - 30kHz, 54pl - 20kHz<br>*depending on the ink |
| Viscosity range                      | 11-13 mPa·s  |   |
| Surface tension                      | 28-35mN/m  |   |
| Grey-scale                           | 4 levels   | 3 levels  |
| Total Length                         | 256 mm (standard) including cables   |   |
| Ink port                             | Yes (standard) / No (optional)   |   |
| Number of ink ports                  | 1 color : 1 x dual / 2 colors: 2 x dual                                    |   |
| Alignment pin direction              | Front (standard) / Back (optional)   |   |

\* Results obtained from continuous jetting test using standard Ricoh test ink.

## ■ Nozzle



## ■ External dimensions



- Product appearance and specifications may be changed without prior notice for improvement purposes.
- Company and product names are trademarks or registered trademarks of their respective companies.
- Please contact your sales representative for details on performance, specifications, and restricting conditions, etc.

**RICOH**  
imagine. change.

● Inquiries and orders: