

Industrial inkjet

# RICOH TH5241

**RICOH**  
imagine. change.

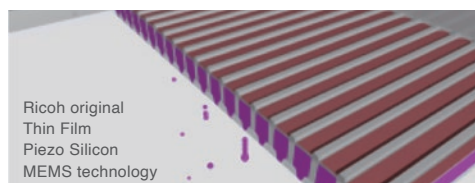
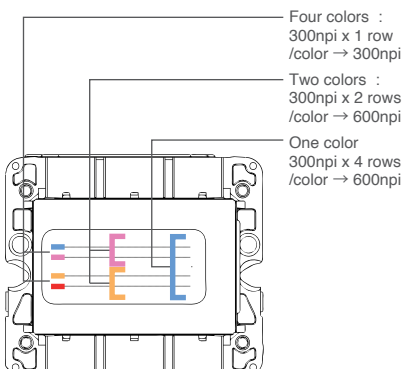
Ricoh's 1st thin film piezo printhead, enabling high definition printing in a wide range of applications by compact package, ink compatibility and jetting stability.



## High definition by Ricoh original MEMS technology

By using MEMS technology, Ricoh's unique design means the RICOH TH5241 is a compact printhead with 320 x 4 rows of 1,280 nozzles\*. In addition, high-definition printing of up to 1,200 dpi can be achieved by jetting fine droplets.

\* There are two sets of 600dpi with a staggered arrangement of 300dpi nozzles per row.



## Grayscale expressions by multi-drop technology

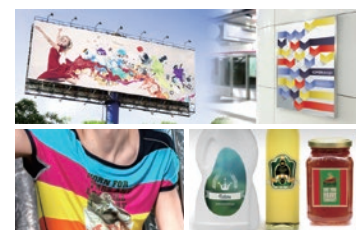
RICOH TH5241 supports multi-drop technology that controls drop volume by merging several droplets in flight before reaching a media surface. It enables grayscale expressions.

## Highly versatile

RICOH TH5241 is compatible with UV, Solvent and Aqueous based inks. This inkjet printhead can be used for various applications.

<Applications>

- Sign-Graphics
- Label
- Textiles
- DTG (Direct to Garment)



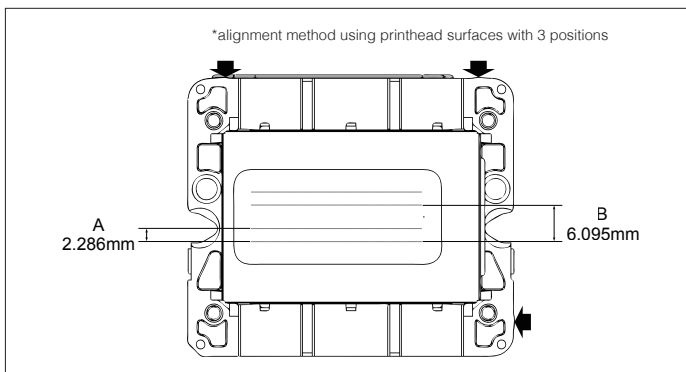
**Thin film piezo printhead with high-definition,  
high-reliability and high-versatility.**

RICOH TH5241

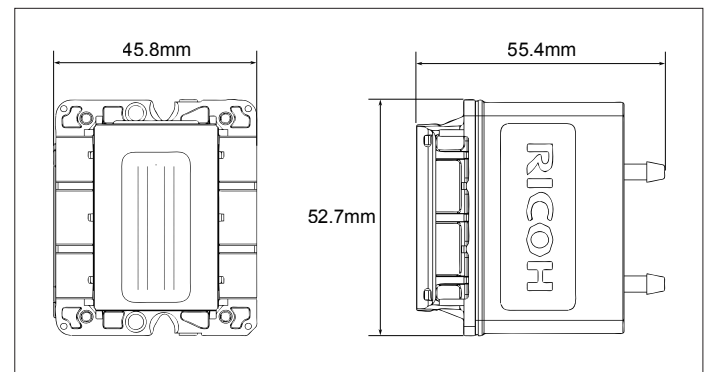


RICOH TH5241	
Method	Thin-film piezoelectric transducer with bend mode
Print Width	27.1 mm (1.06")
Number of nozzles	1280 (320 nozzles/row x4 rows, staggered)
Nozzle Resolution	600npi(2 colors, 1 color) 300npi(4 colors)
Nozzle spacing (Row to row distance)	A : 2.286mm B : 6.095mm
Compatible ink	UV, Solvent, Aqueous, Others.
Total printhead dimensions	W: 52.7mm D: 45.8mm H: 55.4mm
Weight	63g
Max.number of color inks	4 colors
Operating temperature range	40°C
Temperature control	Integrated thermistor, without heater
Firing frequency	40kHz (2 levels) 24kHz (4 levels)
Grayscale	4 levels
Drop volume	3pl (Single drop) 3~12pl (max 21pl) (Multi drop)
Viscosity range	7mPa·s
Surface tension	27±5mN/m

■ Nozzle



■ External dimensions



-Product appearance and specifications may be changed without prior notice for improvement purpose.  
 -Company and product names are trademarks or registered trademarks of their respective companies  
 -Please contact your sales representative for details on performance, specifications, and restricting conditions, etc

**RICOH**  
imagine. change.

● Inquiries and orders: