

Industrial Inkjet

# RICOH MH5422/5442

**RICOH**  
imagine. change.

The RICOH MH5422/5442 offers robust stainless steel housing, and enhanced non-wet-coating. This inkjet head is designed for use in various applications requiring high print quality and high productivity.



## High print quality and High productivity

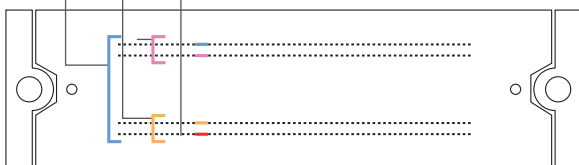
The RICOH MH5422/5442 is the next advanced performance print head in the "RICOH MH5420/5440" and "RICOH MH5421/5441" family of print heads.

With 1,280 nozzles configured in 4 x 150dpi rows, native droplet of 7pl, and enhanced specification for jetting accuracy and velocity resulting in higher and reproducible print quality. RICOH MH5422/5442 offers optimum jetting performance at a new maximum frequency level of 50kHz, enabling increased productivity in binary mode.

One color : 150dpi x 4 rows/color 600dpi

Two color : 150dpi x 2 rows/color 300dpi

Four color : 150dpi x 1 rows/color 150dpi\*



\*Where RICOH MH5442 is used.

## Enhanced Ink compatibility

This head is compatible with UV, Solvent and Aqueous based inks. Specifically, the aqueous ink compatibility and service life of "RICOH MH5422/MH5442" is more than double that of the "RICOH MH5421/MH5441".

\*Results obtained using ink and evaluation procedures defined by Ricoh

## Enhanced non-wet coating

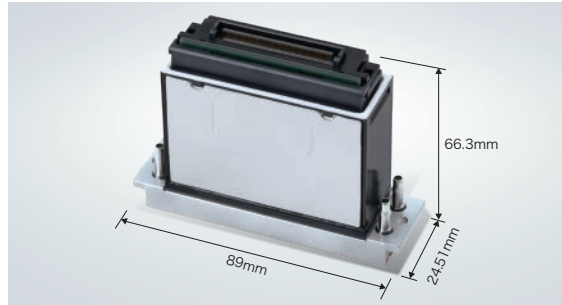
RICOH MH5422/MH5442 has enhanced non-wet coating provides a more durable nozzle surface for continued robust printing including print head maintenance.

\*Result obtained using ink and evaluation procedures defined by Ricoh

## System compatibility

A new, straightforward alignment method using printhead surfaces enables high precision positioning accuracy and easy alignment. RICOH MH5422/MH5442 has a detachable I/O cable design.

**RICOH MH5422/MH5442 features enhanced specification for jetting accuracy and velocity resulting in higher and reproducible print quality.**

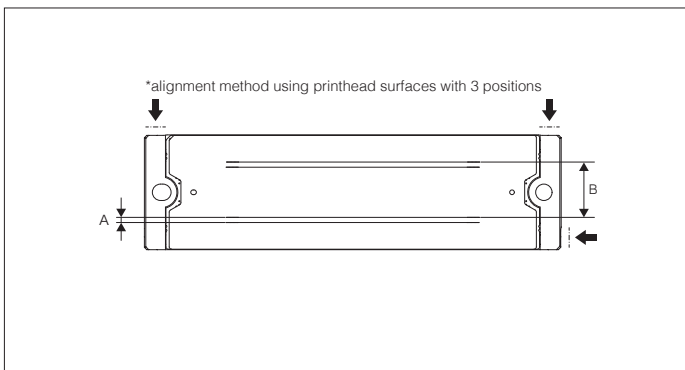


RICOH MH5422 (two color model)

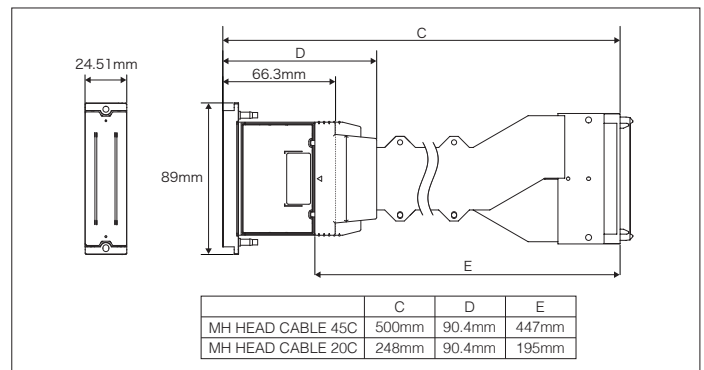
	RICOH MH5422	RICOH MH5442	RICOH MH5422 Type A
Method	Piston pusher with metallic diaphragm plate		
Print Width	54.1 mm (2.1")		
Number of nozzles	1,280 (4 x 320 channels), staggered		
Nozzle spacing (4 color printing)	1/150" (0.1693 mm)		
Nozzle spacing (Row to row distance)	A: 1.101mm B: 11.811mm		
Compatible ink	UV, Solvent, Aqueous, Others.		
Total printhead dimensions	89(W) x 24.51(D) x 66.3(H) mm (3.5" x 1.0" x 2.6")		
Weight	228g (including 45C cable)		
Max.number of color inks	2 colors	4 colors	2 colors
Operating temperature range	60°C		
Temperature control	Integrated heater and thermistor		
Jetting frequency	50kHz (2 levels : binary) 30kHz (4 levels)		
Grey-scale	4 levels		
Drop volume	Binary mode : 7pl Grey-scale mode : 7-21pl		
Viscosity range	10~12mPa·s		
Surface tension	28~35mN/m		
Ink port	Yes	Yes	No
Separately sold parts	Dedicated cable		

\*Results obtained from continuous jetting test using standard Ricoh test fluid.

#### ■ Nozzle



#### ■ External dimensions



- Product appearance and specifications may be changed without prior notice for improvement purpose.
- Company and product names are trademarks or registered trademarks of their respective companies
- Please contact your sales representative for details on performance, specifications, and restricting conditions, etc

**RICOH**  
imagine. change.

● Inquiries and orders: